

WIRELESS WHEEL LOAD SCALES

ATS-305

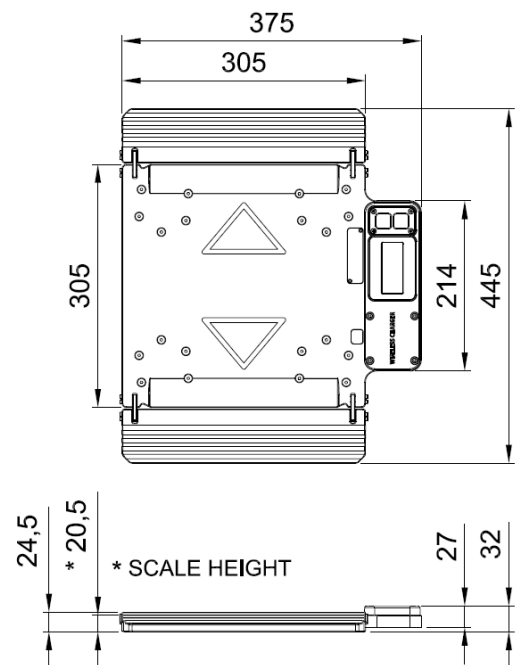
FOR CARAVAN WEIGHING



• **Best durability IP68** • **Long battery life** • **Low profile**

• **Wireless battery charging** • **Weigh and balance check scales**

MODEL	ATS-305-0R5	ATS-305-01	ATS-305-02
CAPACITY	500kg	1000kg	2000kg
DIVISION	0.2kg	0.5kg	1kg
DISPLAY	5digits FSTN LCD & LED backlight		
SAFETY OVERLOAD	150% of capacity		
FRONT COVER MATERIAL	Polycarbonate		
BODY MATERIAL	Aluminum, Hammer-tone powder coating		
RAMP MATERIAL	Urethane		
OPTIONAL	OP-01 : ZigBee & Bluetooth (BLE 5.x)		
IP GRADE	IP68		
BATTERY	Built in Li-ion with PCM pack		
OPERATING TIME	Continuous using time : about 1,000hrs		
CHARGER	Wireless recharge technology		
OPERATING TEMPERATURE	-20°C ~ 60°C		
OPERATING HUMIDITY	85% R.H. (no condensation)		
PRODUCT WEIGHT	5.8kg		



SAFETY • CONVENIENCE • QUALITY • PERFORMANCE • STABILITY

